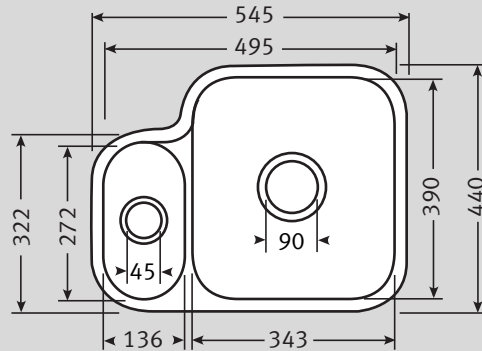


V&B Range VBK 160 Specifications

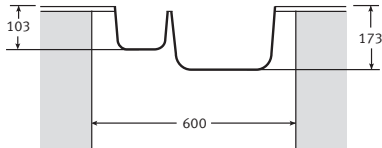
- **Traditional Compact Design**
- **1 x 90mm Waste with Basket Strainer Waste.** Capable of adaptation to take Waste Disposal Unit
- **Deep bowl design**
- **Practical 2 bowl format**
- **Ecologically friendly product**
- **Titanium waste available at extra cost**
- **Available as a Designer Pack**

N.B. Ceramic sinks may vary +/- 1% due to the firing process.

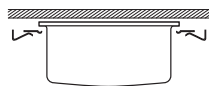


Material:	Ceramic
Application:	Undermount
Bowl Size:	343 x 390 x 173 136 x 272 x 103
Drainer Format:	N/A
Cut-out Size:	Utilise template
Colour:	Ceramic White Ceramic Black
Seal:	Apply sealant locally
Insulation:	Utilise template
Heat resistance:	Up to 1000°C

Cabinet Size:

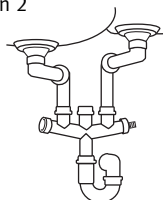


Fixing Clips: G-Clips

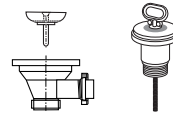


In certain installations it may be necessary to support the sink.

Suggested Plumbing Kit: Siphon 2



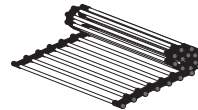
Waste: 1 x Lira 90mm Basket Strainer Waste
1 x 45mm Waste with plug



Overflow:



Accessories:



Rollamat 40

Taps: Any Franke tap can be utilised with this model*.

*Ceramic disc taps in certain installations or where there is a low head of water (below 4 metres) may not provide adequate flow rates. You are advised to check with your supplier.

Guarantee: Franke sinks are guaranteed for 50 years against manufacturing defect. Franke taps are guaranteed against defective materials and workmanship for 1 year in relation to coatings and finishes, and 5 years in relation to moving parts. Franke will replace (and where appropriate repair) defective sinks. In relation to taps, Franke will where appropriate provide replacement parts for your taps or replace your taps. Any associated or ancillary costs to be incurred by you as a result of replacement of Franke sinks and taps under this guarantee shall in all cases be previously approved by Franke UK Limited.

This guarantee is in addition to and does not affect your statutory rights.