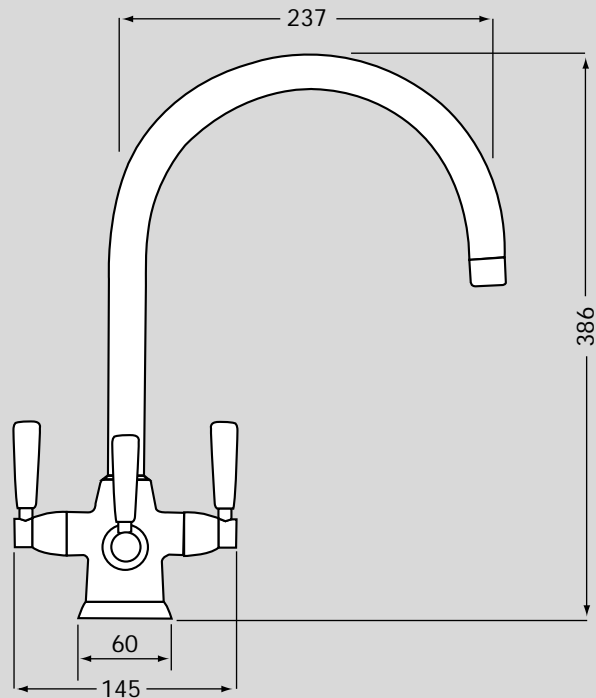


# Triflow Doric Specifications

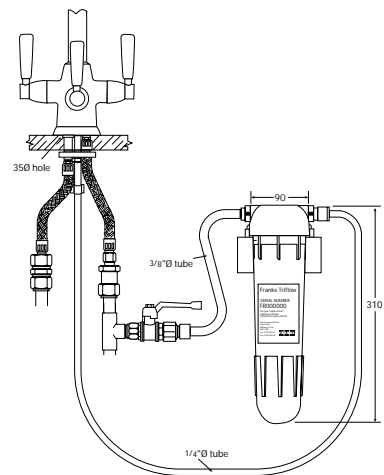
- 3 handled quarter turn mixer
- Provides Hot, Cold and Purified water from a single mixer
- Dedicated handle and spout outlet for purified water
- Includes an integrated Filter System
- Exceptional Filtration capability
- Compatible with most Franke sinks
- Available in Chrome, Gold, Nickel and Pewter
- Biflow spout
- Meets all certification approval requirements
- Requires 35mm tap hole
- Fully guaranteed with nationwide servicing



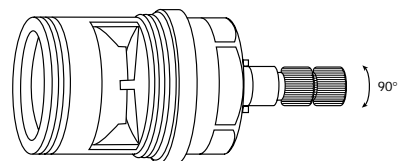
Material:	Solid brass machined body and tubular brass spout
Type:	Quarter turn mixer
Spout:	Biflow tubular spout with bayonet and screw fitting
Tails:	Flexi tails
Tap Height:	386
Spout Reach:	237
Handle Width:	Not applicable
Colours:	Chrome, Gold, Nickel and Pewter
Maximum Water Pressure:	75 PSI (5 bar)
Maximum hot-water Temperature:	70°C
Recommended hot-water Temperature:	65°C
Guarantee:-	Ceramic mechanism: 5 year Surface: 1 year
Joints:	It is recommended that compression fittings are used to link the tap to the supply

Some taps may require bracing to avoid flexing of the sink ledge

## Tails:



## Valve Mechanism:



\*Avilion: 01708 526361

All Franke taps are designed to conform with Water Research Council requirements

NB. Ceramic disc taps in certain installations or where there is a low head of water (below 3 metres) may not provide adequate flow rates. You are advised to check with your supplier.