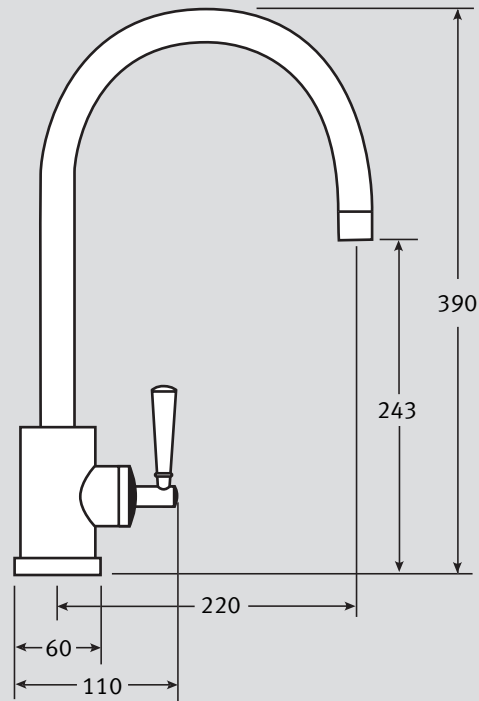


Fuji Tap Specifications

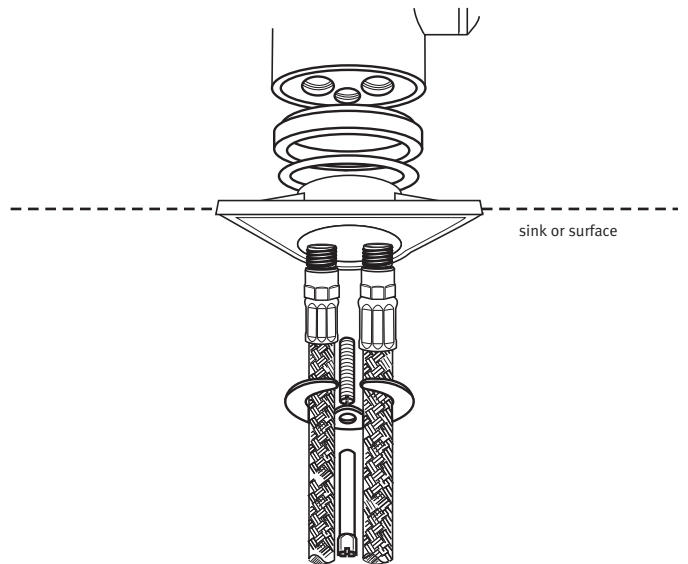
- Single lever mixer
- Ceramic Disc Operation
- Solid brass body
- Compatible with most Franke sink types
- Available in Chrome or SilkSteel
- Requires 35mm tap hole
- Conforms to W.R.C. requirements
- Fully guaranteed with nationwide servicing*



Material:	Solid brass body and tubular brass spout	
Type:	Side mounted lever	
Spout:	Tubular biflow spout with bayonet fitting into body secures by grub screw	
Tails:	Supplied with Flexi Tails. Supplied with fixing kit for body	
Tap Height:	243 (overall tap height 390)	
Spout Reach:	220	
Handle Width:	110	
Colours:	Chrome or SilkSteel.	
Maximum Water Pressure:	75 PSI (5bar)	
Maximum Hot-Water Temperature:	70°C	
Recommended hot water Temperature:	65°C	
Guarantee:-	Ceramic disc:	5 year
	Surface:	1 year
Joints:	It is recommended that compression fittings are used to link the tap to the supply.	

Some taps may require bracing to avoid flexing of the sink ledge.

Tails:



Valve Mechanism:

