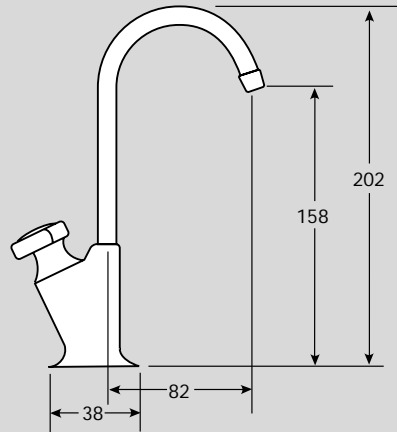


Mini Specifications

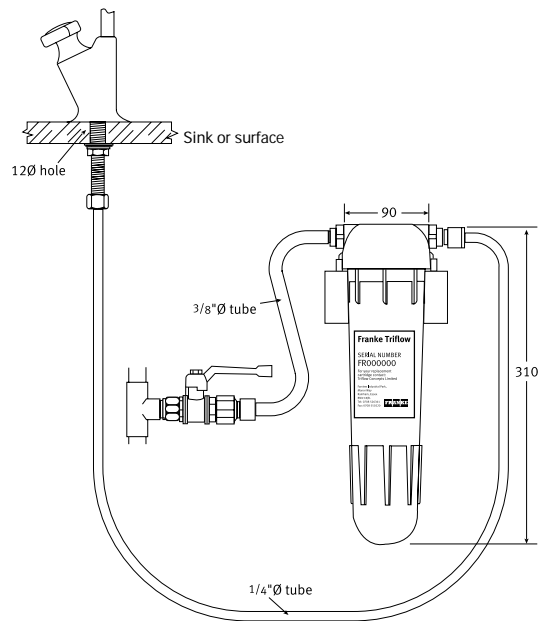
- Quarter turn action
- Dedicated drinking water tap
- Includes integrated filter system
- Exceptional filtration capability
- Neat attractive design
- One piece body
- Rotating spout
- Multiple application
- Requires 12mm tap hole
- Fully guaranteed with nationwide servicing*



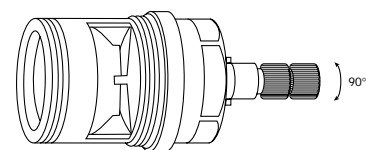
Material:	Solid brass machined body and single flow spout	
Type:	Quarter turn	
Spout:	Single flow brass spout	
Tail:	Copper	
Tap Height:	158 and 202	
Spout Reach:	82	
Handle Width:	Not applicable	
Colours:	Chrome, Gold, Pewter, White, Champagne and Brown	
Maximum Water Pressure:	75 PSI (5 bar)	
Maximum hot-water Temperature:	Not applicable	
Recommended hot water Temperature:	Not applicable	
Guarantee:-	Ceramic disc:	5 year
	Surface:	1 year
Joints:	It is recommended that compression fittings are used to link the tap to the supply	

Some taps may require bracing to avoid flexing of the sink ledge.

Tail:



Valve Mechanism:



*Avilion: 01708 526361

All Franke taps are designed to conform with Water Research Council requirements

NB. Ceramic disc taps in certain installations or where there is a low head of water (below 3 metres) may not provide adequate flow rates. You are advised to check with your supplier.